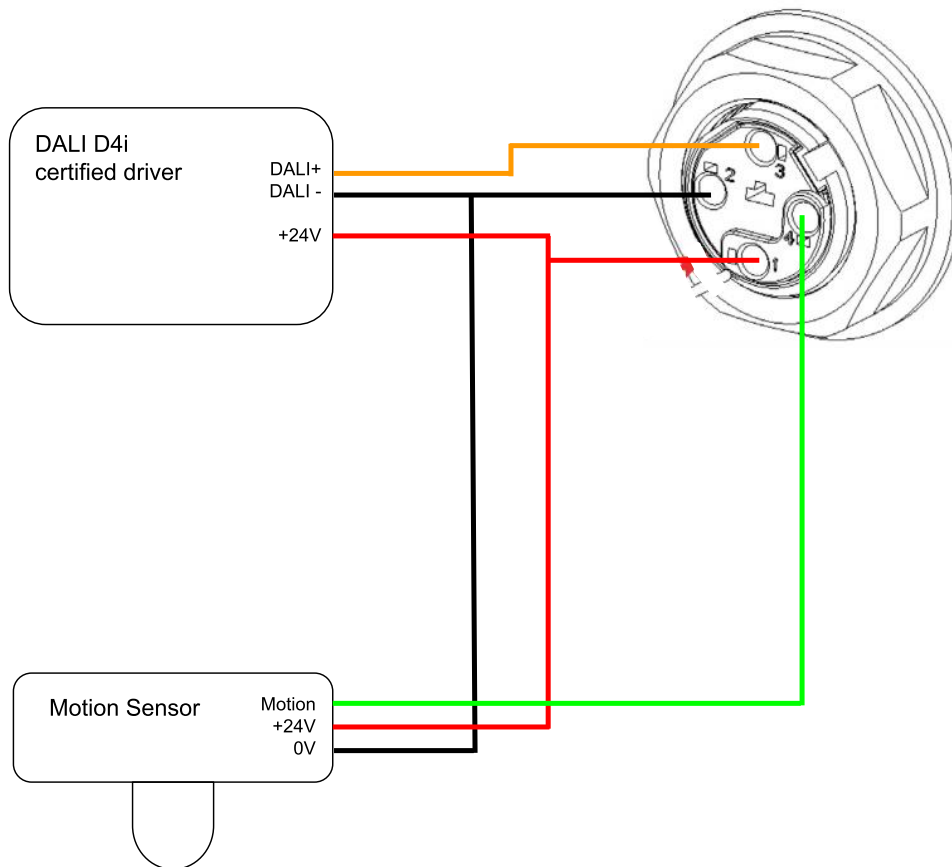


Wiring diagram for a D4i compliant LED driver

- The 24VDC AUX power supply output must have a minimum output power rating better than the combined power consumption for AirGlow and the sensor used. Please consult data sheet for sensor and AirGlow for further details.



Wiring diagram for a non D4i compliant LED driver

- Note that a DALI PSU must be used for proper operation
- The 24VDC power supply must have a minimum output power rating better than the combined power consumption for AirGlow and the sensor used. Please consult data sheet for sensor and AirGlow for further details.

