

## REPLACE YOUR CABLE WITH W-MODBUS

With the solar industry booming, there's a call for more efficient installation services. Switching from traditional Modbus RTU cables to wireless technology between the smart meter and inverter cuts installation time and eases troubleshooting.

W-Modbus replaces the Modbus RTU cable with a reliable wireless mesh - it eliminates time-consuming installation planning, cabling, daisy-chaining and trouble-shooting.

Avoiding cabling has never been easier.

### FOR YOUR NEXT INSTALLATION YOU NEED:

840-2102 W-Modbus Solar starter kit

### APP

Verify your installation with the LumenRadio W-Modbus app



Scan to download app

**2x**

DIN RAIL POWER SUPPLY



**2x**

W-MODBUS DIN RAIL



**2x**

DIN RAIL OMNI ANTENNA KIT



### QUICK AND EASY INSTALLATION

The plug-and-play capabilities significantly reduce installation time so projects can be carried out quicker, at lower cost and with less complexity.



### INCREASED PROJECT CAPACITY

Wireless control in solar installations enables time for additional projects, increasing revenue potential, turning time saved into profit earned.

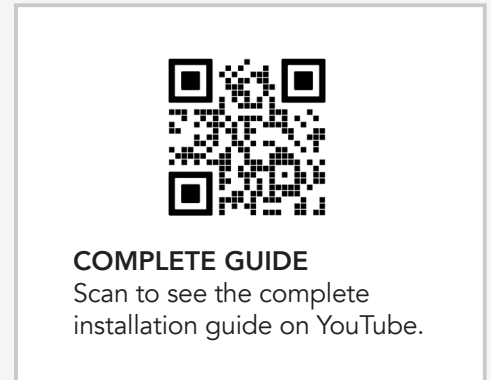
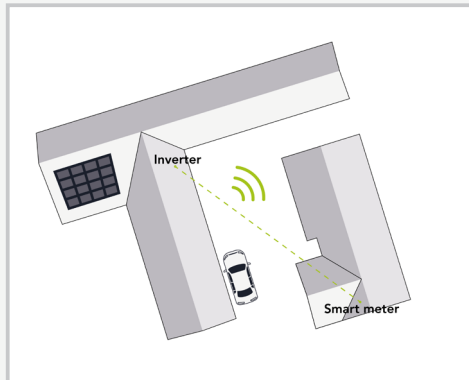
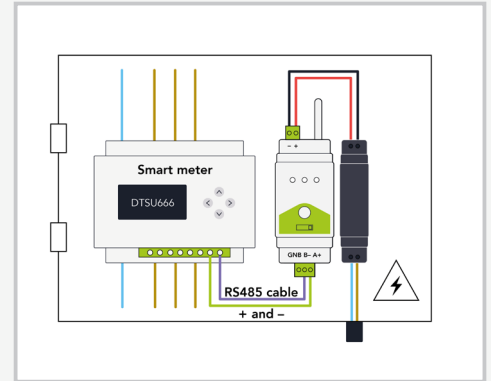
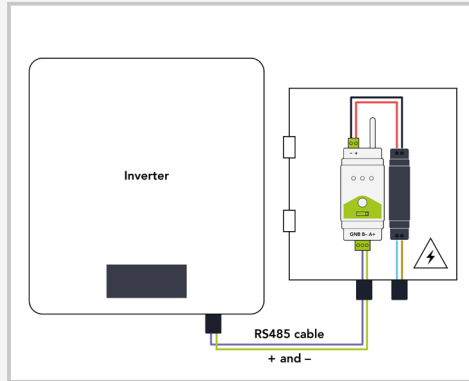
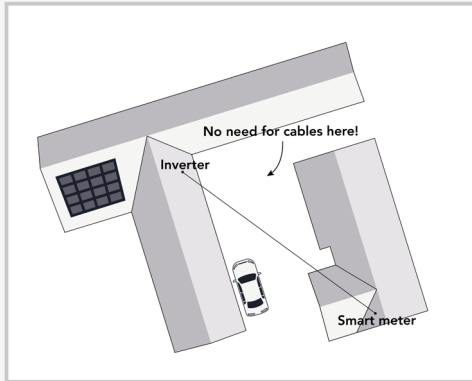


### SIMPLIFIED COST PLANNING

With a wireless installation you know the exact cost and work involved so project planning and bidding becomes quicker and more accurate.

## CONNECT YOUR INVERTER AND SMART METER WIRELESSLY

With W-Modbus you do not need a cable between the inverter and smart meter. Mount one W-Modbus next to the inverter as your gateway and one next to the smart meter as your node. With just a few installation steps you have a wireless connection.



Range – up to 500 meters (line of sight) per hop in the mesh network.

## WHY CHOOSE LUMENRADIO?

### WE KNOW WIRELESS

LumenRadio's unique patented wireless technology predicts and finds the best channel to communicate on. We call it Cognitive Coexistence™ – you can call it peace of mind.

### ROCK-SOLID PERFORMANCE

Cognitive Coexistence allows our tech to operate reliably even in the most crowded of spaces so you get interference-free service every time. Where others fail, we deliver.

### PROVEN RELIABILITY

From epic stageshows and Hollywood blockbusters to challenging industrial environments and vast buildings, we have been delivering wireless without worries for almost two decades.

### CONTACT


#### Headquarters

 **Sweden, Gothenburg**  
LumenRadio AB  
Johan Willins gata 6  
416 64 Göteborg

+46 31 301 03 70  
sales@lumenradio.com

#### Sales offices

 **Germany, Frankfurt**  
+49 619 658 655 590  
sales@lumenradio.com

 **US, Boston**  
+1 617-901-9382  
sales@lumenradio.com